



Type BVHS-GD 400
open

A DEEP COVER FOR INFILL WITH PAVIORS - WITH ASSISTED OPENING - SMELL PROOF, LARGELY WATER-TIGHT.

Load Capacity: 400 kN test load (EN 124) when filled with a min. 5 cm layer of grade C35/45 concrete (EN 206).

Material: Frame and cover in 2 mm cold-formed precision steel profiles. Underside of cover reinforced with steel girder. The frame is reinforced with an additional frame. Hot-dip galvanised. Or grade 304 stainless steel. High-load hinges. High-specification double-piston gas struts. EPDM seal. Robust steel mesh reinforcement.

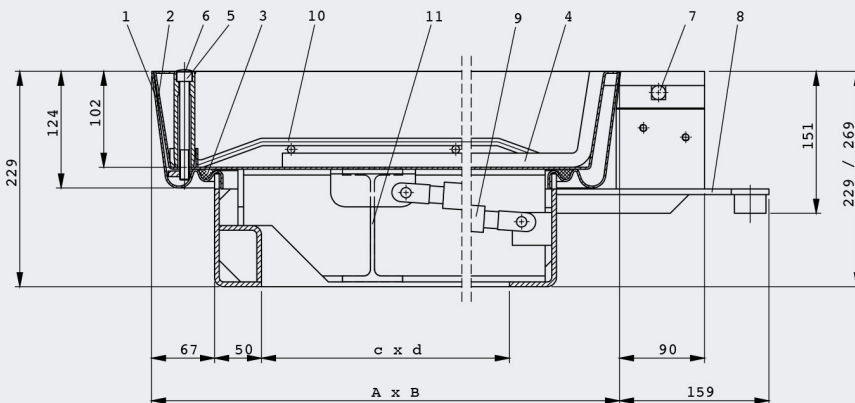
Features: Comfort-lift access cover. Cover with 10 cm deep recess. With peripheral EPDM seal, smell proof and largely water-tight (not guaranteed to be completely water-tight). Opening tools included. Opening is assisted by the patented double-piston gas struts to such an extent that the cover can be opened and closed by one person. Safety device fitted to prevent the open cover from closing. The access cover has a water drain nozzle. There is the option (if required) to connect a drain (pipe or hose). Thereby, water is directly routed out of the frame and the water tightness of the access cover is increased.

Applications: For use in vehicle traffic areas (e.g. fork lift) and areas surrounding buildings or for secondary traffic areas (pedestrian zones). For installations which require access without particular effort. Especially for those installations where the cover is to be filled with concrete slabs, bricks, paving stones or paviors etc.

Installation: Please study the enclosed installation instructions carefully before installation and pay attention to our specifications. Care must be taken to seal the outer frame into the surrounding flooring.

Important note: For transport-related reasons, the gas struts are not installed. These should be installed after the cover and frame have been installed and filled (concrete must be set), in the open position in accordance with our installation instructions.

 **Specification clause:** www.sculegresie.ro



- | | | | |
|---------|-----------------|-------------|-------------------------------|
| 1 Frame | 4 Reinforcement | 7 Hinge | 10 Reinforcement |
| 2 Cover | 5 Allen screw | 8 Anchor | 11 Reinforcement (IPE-Girder) |
| 3 Seal | 6 Plastic cap | 9 Gas strut | |

Typ	Clear dimensions of shaft (≈ cm)	Outside dimensions (≈ cm)	Weight empty approx.	S/O*
Steel galvanised				
BVHS-GD 400/66	60 x 60	75,2 x 83,8	90 kg	O
BVHS-GD 400/86	80 x 60	95,2 x 83,8	115 kg	O
BVHS-GD 400/88	80 x 80	95,2 x 103,8	133 kg	S
BVHS-GD 400/106	100 x 60	115,2 x 83,8	115 kg	O
BVHS-GD 400/110	100 x 100	115,2 x 123,8	197 kg	O
Stainless steel				
BVEHS-GD 400/66	60 x 60	75,2 x 83,8	87 kg	O
BVEHS-GD 400/86	80 x 60	95,2 x 83,8	112 kg	O
BVEHS-GD 400/88	80 x 80	95,2 x 103,8	132 kg	O
BVEHS-GD 400/106	100 x 60	115,2 x 83,8	115 kg	O
BVEHS-GD 400/110	100 x 100	115,2 x 123,8	197 kg	O

Installation depth: 10,2 cm
free height: BVHS 400/88 approx. 23cm
BVHS 400/110 approx 27cm
Special sizes possible
*S = article available from stock
*O = article is manufactured on request