



**Load capacity:** Class A (15kN test load) EN 124

**Materials:** Frame in extruded aluminium. Cover in extruded aluminium bonded to a composite aluminium honeycomb panel (with a white coating). Stainless steel screw connections. EPDM seal. High-quality gas-lift struts.

**Features:** Modern lightweight-construction access cover with maximum ease of opening. **Major weight-savings compared to concrete-filled access covers.** Extremely easy to open thanks to gas-lift struts.

A safety device is fitted, locking the cover in the raised position. As the cover is not filled with concrete, installation is quicker and simpler.

There is a recess of 24mm for laying slabs, tiles, parquet etc. In the case of thin tiles, the difference in height can be compensated for by using a suitable tile adhesive (MAPEI Keralastic) and waterproof building board. Sealed design with a very high-quality finish. Very attractive surface, particularly the visible edges. Inconspicuous corner joints make it easy to connect tiles, slabs etc.

**Opening with the Lift-Off System with the help of the hinge:** Every HAGODECK Type CCA-GD composite comfort aluminium comes with a set of lifting keys and detailed installation instructions.

**The HAGO advantage:** Jammed covers are released by simply turning the Golden Key.

**Recommended applications:** As a cover inside buildings which can be very easily opened by one person.

**Installation:** Installation should be carried out according to our installation instructions. In the case of water tight covers, care must be taken on site to tightly seal the outer frame into the surrounding floor. Attach slabs or tiles fully (over the whole surface) with a suitable tile adhesive (MAPEI Keralastic). In the case of thin tiles or slabs, use waterproof building board to compensate for the difference in height.

**Specification clause:** Aluminium composite lightweight construction access cover with honeycomb core

**Type HAGODECK CCA-GD,** with hinge and gas-lift struts, clear opening ..... x ..... cm, leaving a recess of 24mm suitable for site finishing with the architects choice of floor finish, sealed, largely water tight, with Golden Key Lift-Off opening tools.

15 kN (EN 124). Installation to be carried out according to the manufacturer's instructions.

Producer: HAGO 4600 Wels, Austria. [www.hago.at](http://www.hago.at)

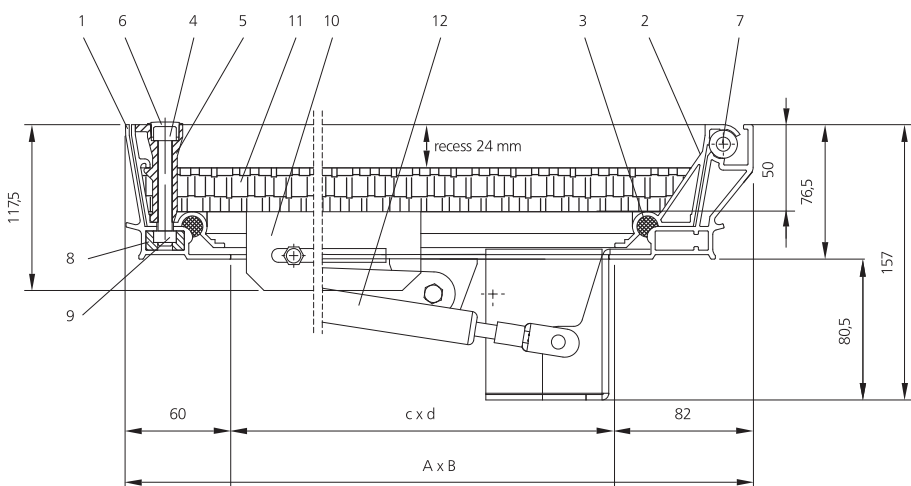


Detailed view of the safety device and gas-lift struts



Extremely easy to open thanks to lightweight construction and gas-lift struts

## Type CCA-GD composite comfort aluminium



- 1 Frame
- 2 Cover
- 3 Seal
- 4 Allen screw (stainless steel)
- 5 Die-cast corner (aluminium)
- 6 Plastic cap
- 7 Hinge
- 8 Injection-moulded part (plastic)
- 9 Square boss (stainless steel)
- 10 Safety device
- 11 Aluminium honeycomb plate (with white coating)
- 12 Gas-lift struts

Type	Clear dimensions of shaft (approx. cm)	Outside dimensions (approx. cm)	Weight without floor finish	S/O*
	c x d	A x B		
CCA-GD 66	60 x 60	72 x 74	13 kg	S
CCA-GD 86	80 x 60	92 x 74	15 kg	S
CCA-GD 88	80 x 80	92 x 94	18 kg	S
CCA-GD 106	100 x 60	112 x 74	18 kg	S

Cover depth approx. 6.6 cm, installation height approx. 7.6 cm  
**Special sizes possible**  
 \*S= available from stock, \*O= to order